

**RETAILER: This framesheet MUST BE provided to the end user.**

Hello and thanks for picking up this lovely little number that we call the Macho King.

Built with what we feel is probably the greatest steel tubing in the history of the bicycle, Reynolds 853, and featuring ultra modern stuff like a 44mm headtube and tapered carbon fork.

This thing is perfect for those of you who like racing, but realize that you only really race like less than 1% of the time that you spend on your bike and you want to own a cross rig that you actually like putting in daily miles on.

Hope you love it,

Cheers,

All-City

**⚠ WARNING:** CYCLING CAN BE DANGEROUS. BICYCLE PRODUCTS SHOULD BE INSTALLED AND SERVICED BY A PROFESSIONAL MECHANIC. NEVER MODIFY YOUR BICYCLE OR ACCESSORIES. READ AND FOLLOW ALL PRODUCT INSTRUCTIONS AND WARNINGS INCLUDING INFORMATION ON THE MANUFACTURER'S WEBSITE. INSPECT YOUR BICYCLE BEFORE EVERY RIDE. ALWAYS WEAR A HELMET.

Additional Product and Safety Information can be found at the website: [www.allcitycycles.com/safety](http://www.allcitycycles.com/safety).



**Intended Use: Cyclocross**

**CONDITION 2**

Bikes are designed for riding Condition 1, plus smooth gravel roads and improved trails with moderate grades where the tires do not lose ground contact.

**INTENDED** For cyclocross riding, training and racing. Cyclocross involves riding on a variety of terrain and surfaces including dirt or mud surfaces. Cyclocross bikes also work well for all-weather rough road riding and commuting.

**NOT INTENDED** For off-road or mountain bike use, or jumping. Cyclocross riders and racers dismount before reaching an obstacle, carry their bike over the obstacle and then remount. Cyclocross bikes are not intended for mountain bike use. The relatively larger road bike-size wheels are faster than the smaller mountain bike wheels, but not as strong.

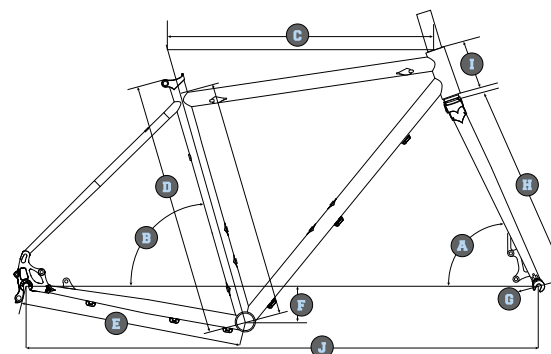
MAXIMUM WEIGHT LIMIT (lb/kg)	Rider	Luggage	Total
	300/136	30/13.6	330/150

**Frameset Compatibility**

Tubing	Reynolds 853 tubing, double-buttet down, top, and seat tubes. 4130 tubing externally tapered, ovalized, and dimpled chainstays, tapered seatstays
Fork	Whisky No. 7 Carbon Fork
Dropouts	All-City Signature Vertical Disc
Braze-ons Water	Bottle mounts on seat tube and downtube with reinforcement plates, hidden fender mounts, front derailleur pulley mount
Seatpost diameter	27.2mm
Headset	SHIS upper ZS44/28.6, SHIS lower EC44/40 Crown race 39.7, clamp diameter 28.6
Bottom bracket shell	English
Brake mounts	I.S. 51 disc mounts
Tire clearance	700c x 38mm with lots of mud clearance

For complete bike specs and reasoning behind our component choices go to [www.allcitycycles.com](http://www.allcitycycles.com).

**Geometry Chart**



**MACHO MAN KING 853**

Size	46cm	49cm	52cm	55cm	58cm	61cm
A Headtube Angle	70.5°	71°	71.5°	72°	72.5°	72.5°
B Seat Tube Angle	74	73.5	73	73	72.5	72.5
C Top tube Length	520	535	550	565	585	605
D Seat Tube Length	485.6	515.5	545.4	575.4	605.3	635.3
E Chainstay Length	430	435	435	435	435	435
F Bottom Bracket Drop	70	70	70	70	70	70
G Fork Offset	45	45	45	45	45	45
H Total Fork Length	395	395	395	395	395	395
I Headtube Length	95	110	130	150	175	200
J Wheelbase	1001	1013	1019	1030	1039	1059
Standover	756	778	802	827	853	880

Measurements in mm unless noted.



## Care and Maintenance

Keep your frame clean. Dirt and road grime lead to oxidation and fading of the finish, and they make it hard to do a thorough inspection. Dirt will accelerate any abrasion of the paint that comes from rubbing, such as places where the cable housing touches the frame. In extreme cases, this type of abrasion could remove frame material.

When your bicycle is not being ridden, store it where it will be protected from rain, snow, sun, etc. Rain or snow may cause the metal on your frame to corrode. We recommend applying J.P. Weigle's Frame Saver to the inside of the tubes before the frame is assembled into a bike.

If your bicycle was exposed to moisture during a ride, thoroughly dry the bicycle before storing it. If water got inside the frame, tilt the bicycle to drain the water. If necessary, remove the seatpost and turn the bicycle upside down. This is especially critical if there is a large amount of water inside. If water freezes inside your frame, the expansion of the ice can crack and rupture the structure.

Before storing your bicycle for an extended period of time, clean and lubricate the frame with a frame wax, polish, or protectant. Do not store the bicycle near electric motors, as ozone from motors destroys paint. Before riding the bicycle again, follow the pre-ride checklist to be certain it is in good working order.

## Inspection

Before every ride carefully inspect your frame for signs of fatigue. If any frame part shows signs of damage or fatigue, consult your dealer or replace the frame before riding the bicycle.

**⚠ WARNING:** An improperly modified frame, fork, or component can cause you to lose control and fall. NEVER MODIFY YOUR FRAMESET.

**⚠ WARNING:** Attaching incompatible clamping devices to a fork can lead to fork breakage, causing a loss of control. If you are not sure if a device is compatible, consult your dealer.

## Assumption Of Risk

Federal, State and local laws vary and may require certain equipment, including brakes. Buyer assumes all risks of assembling a bike that is not equipped with all required safety components. Buyer assumes all risks inherent in riding a bicycle without all required safety equipment on a public or private street or pathway.

In the event of a crash or impact, carefully inspect handlebars, fork, stem, seatpost, wheels and the frame for any visible damage. As with any component under varying degrees of stress there is a fatigue life that is proportional to the type of use and abuse applied to the part. Always inspect your components before a ride. If you have doubts about the integrity and condition of any part, replace it. Consult your dealer if you are unsure about the condition of your ALL CITY frame or any part of your bicycle.

## Serial Number

Write it down now! Seriously. It's important if your bike is stolen or for questions about your frame. The number is stamped into the bottom of the bottom bracket shell.

## Limited Warranty

This All-City® product is warranted against defects in materials and workmanship for three years from the date of retail purchase of the product, subject to the limitations detailed below. Save your dated receipt for proof of purchase.

This warranty does NOT cover the following:

- Damage due to improper assembly or follow-up maintenance or lack of skill, competence or experience of the user or assembler
- Products that have been modified, neglected, used in competition or for commercial purposes, misused or abused, involved in accidents or anything other than normal use
- Installation of components, parts or accessories not originally intended for or compatible with All-City products
- Damage or deterioration to the paint, surface finish, aesthetics or appearance of the product
- Normal wear and tear
- Labor required to remove and/or refit and re-adjust the product within the bicycle assembly

This limited warranty is expressly limited to the repair or replacement of a defective product, at the option of All-City Cycles, and is the sole remedy of the warranty. This limited warranty applies only to the original purchaser of the All-City product and is not transferrable. This warranty applies only to products purchased through an authorized dealer or distributor. In no event shall All-City Cycles be liable for any loss, inconvenience or damage, whether direct, incidental, consequential, or otherwise resulting from breach of any express or implied warranty or condition, of merchantability, fitness for a particular purpose, or otherwise with respect to our products except as set forth herein.

This limited warranty gives the consumer specific legal rights, and those rights and other rights may vary from place to place. This limited warranty does not affect your statutory rights.

TO THE EXTENT NOT PROHIBITED BY LAW, THESE WARRANTIES ARE EXCLUSIVE AND THERE ARE NO OTHER EXPRESS OR IMPLIED WARRANTIES OR CONDITIONS INCLUDING WARRANTIES OR CONDITIONS OF MERCHANTABILITY AND FITNESS FOR A PARTICULAR PURPOSE.

## Warranty Process

We will happily back up our products if there is a problem that is our fault. If you and your shop think your All-City product is worthy of a warranty inspection, please return the product to the original place of purchase, accompanied by a sales receipt.

## Contact Us

Questions, comments, anecdotes, build pics and hipster jokes can and should be directed to:

All-City Cycles  
6400 West 105th Street  
Minneapolis, MN 55438

Phone: 1.888.4AC.BIKE  
Web: www.allcitycycles.com  
E-mail: info@allcitycycles.com

