

RETAILER: This framesheet MUST BE provided to the end user.

Thanks for spending your hard earned dollars on a Macho Man Disc, I think you'll find your decision a smart one, as you've just tucked into the best steel cross bike we know how to build.

This beauty has all of the AC hallmarks: classy paint, signature headbadge, signature vertical disc dropouts, E.D. coat inside and out, hidden fender mounts, etc. It also has internal cable routing for the front derailleur, a barrel adjuster, and a braze on for a pulley should you choose to run a traditional road front derailleur instead of a top pull. Not to mention that it comes with our sweet Nature Boy fork in disc format.

Get out there!

⚠ WARNING: CYCLING CAN BE DANGEROUS. BICYCLE PRODUCTS SHOULD BE INSTALLED AND SERVICED BY A PROFESSIONAL MECHANIC. NEVER MODIFY YOUR BICYCLE OR ACCESSORIES. READ AND FOLLOW ALL PRODUCT INSTRUCTIONS AND WARNINGS INCLUDING INFORMATION ON THE MANUFACTURER'S WEBSITE. INSPECT YOUR BICYCLE BEFORE EVERY RIDE. ALWAYS WEAR A HELMET.

Additional Product and Safety Information can be found at the website: www.allcitycycles.com/safety.



Intended Use

Cyclocross CONDITION 2

Bikes designed for riding Condition 1, plus smooth gravel roads and improved trails with moderate grades where the tires do not lose ground contact.

INTENDED For cyclocross riding, training and racing. Cyclocross involves riding on a variety of terrain and surfaces including dirt or mud surfaces. Cyclocross bikes also work well for all weather rough road riding and commuting.

NOT INTENDED For off road or mountain bike use, or jumping. Cyclocross riders and racers dismount before reaching an obstacle, carry their bike over the obstacle and then remount. Cyclocross bikes are not intended for mountain bike use. The relatively larger road bike size wheels are faster than the smaller mountain bike wheels, but not as strong.

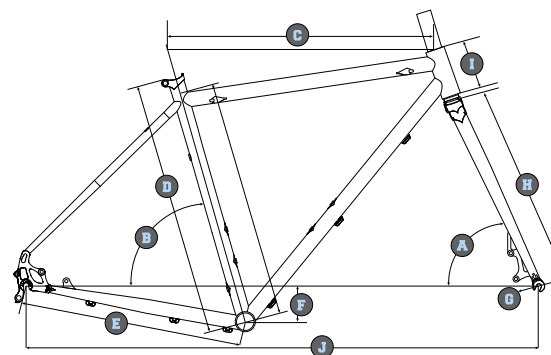
MAXIMUM WEIGHT LIMIT (lb/kg)	Rider	Luggage	Total
	300/136	30/13.6	330/150

Frameset Compatibility

Tubing	612 Select double-butted CroMoly main triangle, butted and externally-tapered and shaped stays
Fork	612 Select CroMoly externally-tapered, single-butted blades, bi-plane fork crown
Dropouts	All-City Signature Vertical Disc
Braze-ons	Water bottle mounts on seat tube and downtube with reinforcement plates, hidden fender mounts, front derailleur pulley mount
Seatpost diameter	27.2mm
Headset	1-1/8" threadless
Bottom bracket shell	English
Brake mounts	I.S. 51 disc mounts
Tire clearance	700c x 38mm with lots of mud clearance

For complete bike specs and reasoning behind our component choices go to www.allcitycycles.com.

Geometry Chart



MACHO MAN DISC

Size	46cm	49cm	52cm	55cm	58cm	61cm
A Headtube Angle	70.5°	71°	71.5°	72°	72.5°	72.5°
B Seat Tube Angle	74	73.5	73	73	72.5	72.5
C Top tube Length	520	535	550	565	585	605
D Seat Tube Length	485.6	515.5	545.4	575.4	605.3	635.3
E Chainstay Length	430	435	435	435	435	435
F Bottom Bracket Drop	70	70	70	70	70	70
G Fork Offset	45	45	45	45	45	45
H Total Fork Length	395	395	395	395	395	395
I Headtube Length	95	110	130	150	175	200
J Wheelbase	1001	1013	1019	1030	1039	1059
Standover	756	778	802	827	853	880

Measurements in mm unless noted.

Care and Maintenance

Keep your frame clean. Dirt and road grime lead to oxidation and fading of the finish, and they make it hard to do a thorough inspection. Dirt will accelerate any abrasion of the paint that comes from rubbing, such as places where the cable housing touches the frame. In extreme cases, this type of abrasion could remove frame material.

When your bicycle is not being ridden, store it where it will be protected from rain, snow, sun, etc. Rain or snow may cause the metal on your frame to corrode. We recommend applying J.P. Weigle's Frame Saver to the inside of the tubes before the frame is assembled into a bike.

If your bicycle was exposed to moisture during a ride, thoroughly dry the bicycle before storing it. If water got inside the frame, tilt the bicycle to drain the water. If necessary, remove the seatpost and turn the bicycle upside down. This is especially critical if there is a large amount of water inside. If water freezes inside your frame, the expansion of the ice can crack and rupture the structure.

Before storing your bicycle for an extended period of time, clean and lubricate the frame with a frame wax, polish, or protectant. Do not store the bicycle near electric motors, as ozone from motors destroys paint. Before riding the bicycle again, follow the pre-ride checklist to be certain it is in good working order.

Inspection

Before every ride carefully inspect your frame for signs of fatigue. If any frame part shows signs of damage or fatigue, consult your dealer or replace the frame before riding the bicycle.

⚠ WARNING: An improperly modified frame, fork, or component can cause you to lose control and fall. NEVER MODIFY YOUR FRAMESET.

⚠ WARNING: Attaching incompatible clamping devices to a fork can lead to fork breakage, causing a loss of control. If you are not sure if a device is compatible, consult your dealer.

Serial Number

Write it down now! Seriously. It's important if your bike is stolen or for questions about your frame. The number is stamped into the bottom of the bottom bracket shell.

Limited Warranty

This All-City® product is warranted against defects in materials and workmanship for three years from the date of retail purchase of the product, subject to the limitations detailed below. Save your dated receipt for proof of purchase.

This warranty does NOT cover the following:

- Damage due to improper assembly or follow-up maintenance or lack of skill, competence or experience of the user or assembler
- Products that have been modified, neglected, used in competition or for commercial purposes, misused or abused, involved in accidents or anything other than normal use
- Installation of components, parts or accessories not originally intended for or compatible with All-City products
- Damage or deterioration to the paint, surface finish, aesthetics or appearance of the product
- Normal wear and tear
- Labor required to remove and/or refit and re-adjust the product within the bicycle assembly

This limited warranty is expressly limited to the repair or replacement of a defective product, at the option of All-City Cycles, and is the sole remedy of the warranty. This limited warranty applies only to the original purchaser of the All-City product and is not transferrable. This warranty applies only to products purchased through an authorized dealer or distributor. In no event shall All-City Cycles be liable for any loss, inconvenience or damage, whether direct, incidental, consequential, or otherwise resulting from breach of any express or implied warranty or condition, of merchantability, fitness for a particular purpose, or otherwise with respect to our products except as set forth herein.

This limited warranty gives the consumer specific legal rights, and those rights and other rights may vary from place to place. This limited warranty does not affect your statutory rights.

TO THE EXTENT NOT PROHIBITED BY LAW, THESE WARRANTIES ARE EXCLUSIVE AND THERE ARE NO OTHER EXPRESS OR IMPLIED WARRANTIES OR CONDITIONS INCLUDING WARRANTIES OR CONDITIONS OF MERCHANTABILITY AND FITNESS FOR A PARTICULAR PURPOSE.

Warranty Process

We will happily back up our products if there is a problem that is our fault. If you and your shop think your All-City product is worthy of a warranty inspection, please return the product to the original place of purchase, accompanied by a sales receipt.

Contact Us

Questions, comments, anecdotes, build pics and hipster jokes can and should be directed to:

All-City Cycles
6400 West 105th Street
Minneapolis, MN 55438

Phone: 1.888.4AC.BIKE
Web: www.allcitycycles.com
E-mail: info@allcitycycles.com

